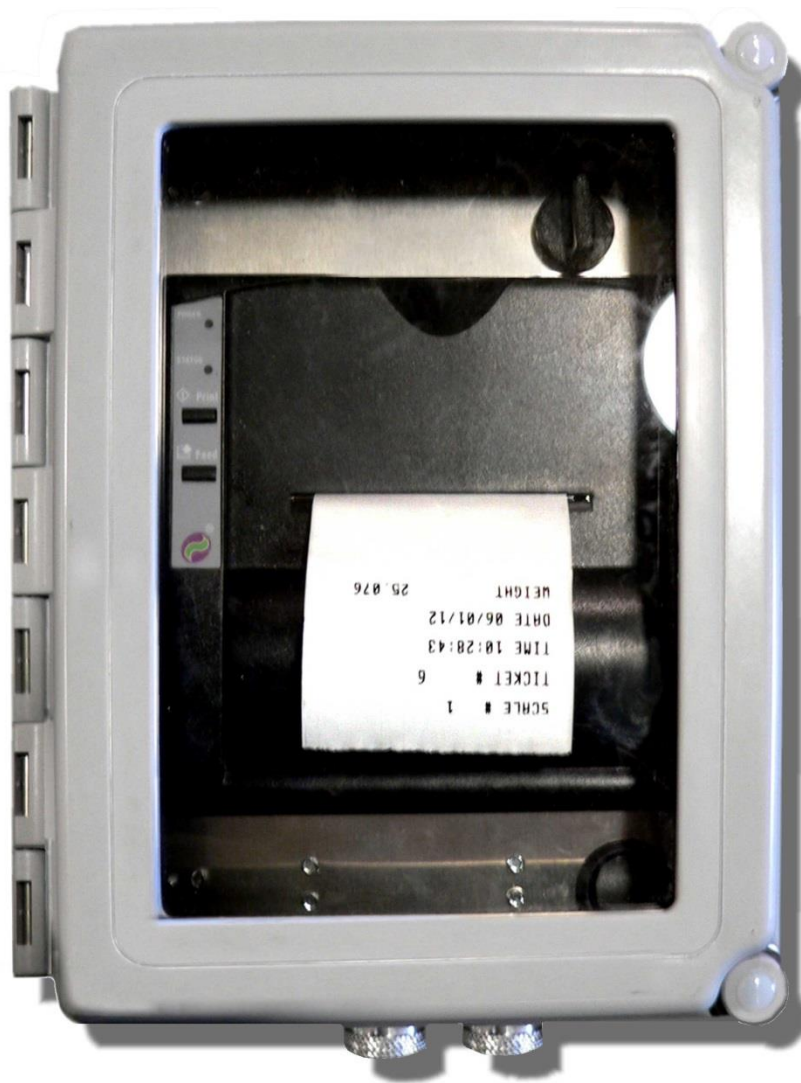


2014

## TICKET PRINTER MANUAL – RS232



AC Power Version - Part # ASM0282  
DC Power Version - Part # ASM0280

## Contents

1. Introduction.....	2
2. What is in the Box?.....	2
3. Tools Needed .....	3
4. Step By Step Installation Procedure.....	3
5. Integrator Printer Setup Instruction Guide.....	5

# Ticket Printer Manual – RS232

## 1. Introduction

This manual is intended to help you successfully install the Rs232 Serial Printer as an add-on item in the field. The following instructions will show you a step by step procedure to install the hardware required for the Printer.

Wiring and software setup will vary from application to application. The attached wiring diagram should be a guide in selecting the correct wire terminals for your application.

It is critical that you follow all Company and government **SAFETY** procedures when installing this component in the field.

After reading this manual and you require any assistance with the installation, wiring, and setup of the integrator please contact our technical support department.

Belt-Way Scales Inc.

+1 815-625-5573

## 2. What is in the Box?

The following items are in the box:

### DC Version

1. QTY – Printer in a NEMA 4 enclosure
2. 4 QTY – Mounting Tabs
3. 4 QTY - Tab Mounting Screws
4. 1 QTY – Pre-wired DC power cable (10FT)
5. 1 QTY – Pre-wired RS232 cable (10FT)

### AC Version

1. QTY – Printer in a NEMA 4 enclosure
2. 4 QTY – Mounting Tabs
3. 4 QTY - Tab Mounting Screws
4. 1 QTY – Pre-wired AC Power Supply cable (10FT)
5. 1 QTY – Pre-wired RS232 cable (10FT)



# Ticket Printer Manual – RS232

## 3. Tools Needed

The following basic tools will be needed:

1. 1 QTY – Phillips / Star Head Screw Driver
2. 1 QTY - Small Flat Head Screw Driver
3. Lock-Out Tag
4. Correct PPE
5. Basic Mechanics Tool set

## 4. Step By Step Installation Procedure

The following is a step by step procedure to install the Serial Printer Hardware:

### Before you start



1. Disconnect power to the integrator at the breaker or disconnect panel.
2. Lock out the supply power while installing the printer.

### STEP 1

Mount the printer to the conveyor or machine in the desired location close enough so that the Printer and power supply cables will reach their connections.

### STEP 2

Route the cables so that they are secure and do not get damaged by material or moving parts

### STEP 3



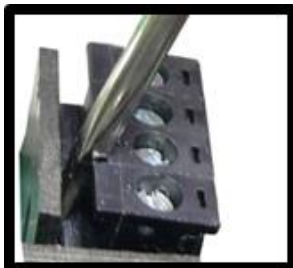
Open the box and disconnect power as described in step 4.

### Step 4

**(A)** IF 110-220 VAC power Supply is INSTALLED

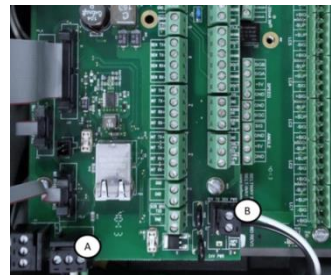
- Remove the AC Supply power Connector inside the Integrator.

When removing the connector use the screw driver as shown above to avoid pin damage.



**(B)** IF 10-30 VDC power Supply is connected

- Remove the DC supply Power Connector inside the Integrator.



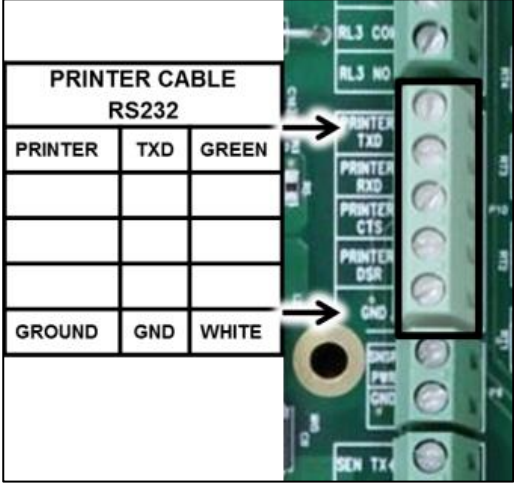
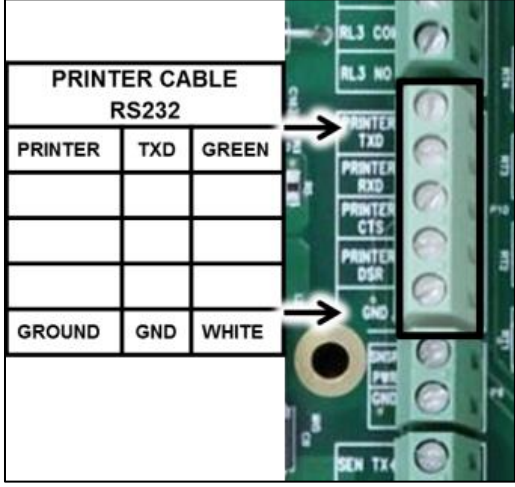
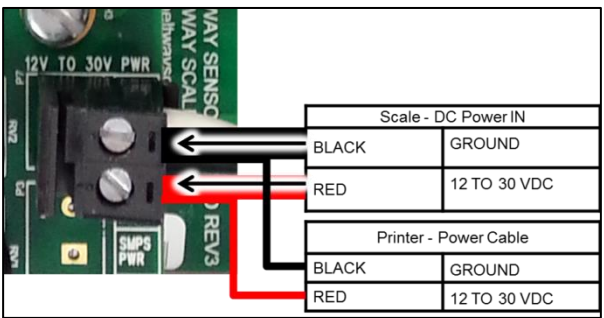
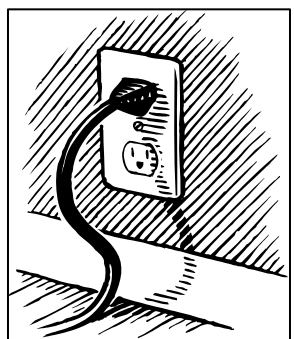
# Ticket Printer Manual – RS232

## STEP 5

1. Route the print cable and DC power cable through the cord grip connectors on the integrator. The AC version only needs the printer cable (RS232) routed through the cord grip connectors.
2. Connect the Print Cable (RS232) and Power Cable as shown for the AC or Dc version.

## STEP 6

Connect RS232 and Power cables inside the integrator box as shown for your version.

DC Version	AC Version												
<p>RS232 CABLE</p> 	<p>RS232 CABLE</p> 												
<p>DC POWER CABLE</p>  <table border="1" style="margin-left: auto; margin-right: auto;"> <tr> <th colspan="2">Scale - DC Power IN</th> </tr> <tr> <td>BLACK</td> <td>GROUND</td> </tr> <tr> <td>RED</td> <td>12 TO 30 VDC</td> </tr> <tr> <th colspan="2">Printer - Power Cable</th> </tr> <tr> <td>BLACK</td> <td>GROUND</td> </tr> <tr> <td>RED</td> <td>12 TO 30 VDC</td> </tr> </table>	Scale - DC Power IN		BLACK	GROUND	RED	12 TO 30 VDC	Printer - Power Cable		BLACK	GROUND	RED	12 TO 30 VDC	<p>AC POWER CABLE</p> 
Scale - DC Power IN													
BLACK	GROUND												
RED	12 TO 30 VDC												
Printer - Power Cable													
BLACK	GROUND												
RED	12 TO 30 VDC												
<p>The power cable needs to be connected in the same connector as the DC supply wires. Make sure source power is disconnected to avoid shorting and damage.</p>													

## STEP 7

1. Reconnect the power connectors that were disconnected in **STEP 4** and turn breaker back ON.
2. Turn Printer Power on with switch on printer face plate.

# Ticket Printer Manual – RS232






---

**STEP 8**

Close the integrator door

**STEP 9**


Follow setup procedure below to setup the data you need printed on your tickets.

<b>Navigation Tip</b>	
	Press the <b>MENU</b> key.
	Navigate to the <u>DEVICE SETUP</u> icon and press <b>ENTER</b> key
<b>FOLLOW THE STEP BY STEP SCREEN INSTRUCTIONS</b>	
	Press the <b>BACK</b> key go back to the previous screen
<b>Some data fields are also under the Administration Menu</b>	
	Press the <b>MENU</b> key.
	Navigate to the <u>ADMINISTRATION</u> icon and press <b>ENTER</b> key

## 5. Integrator Printer Setup Instruction Guide

The following information will help you decide how to setup the Integrator for your application needs:



<p><b>Tickets On / Off</b> - Enable ticket printing.</p> <p><b>Printer Type:</b> Setup parameters for your Printer.</p> <p><b>Default settings:</b></p> <ul style="list-style-type: none"> <li>• Belt-Way printer</li> <li>• RS232 port</li> <li>• Baud rate - 9600</li> <li>• Data Bits - 8</li> <li>• Stop Bits - 1</li> <li>• Flow Control – None</li> </ul>	<p><b>Setup Ticket:</b> Enter the following:</p> <ul style="list-style-type: none"> <li>• Company Name</li> <li>• Address</li> <li>• Phone Number</li> </ul> <p>Press the <b>PRINT</b> key to print the ticket. </p> <p><b>Administration Settings</b></p> <ul style="list-style-type: none"> <li>• Scale Name</li> <li>• Plant Name</li> <li>• Product name</li> <li>• Current date</li> <li>• Current Time</li> </ul>
---	--